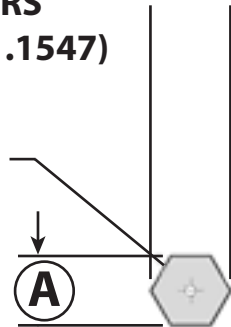


Polygon Solutions' 8mm shank hexagon rotary broaches are precision ground with a tolerance of +0/-0.0005. Each nominal size conforms to the industry standard – ANSI B18.3 2003. All 8mm shank hex rotary broach tools include a pressure relief vent hole that allows air and fluid to freely escape during the rotary broaching process to reduce wear on your machine and extend rotary broach tool life.

**SHARP CORNERS
(ACROSS FLATS x 1.1547)**

**PRESSURE
RELIEF HOLE**

**ACROSS
FLATS**



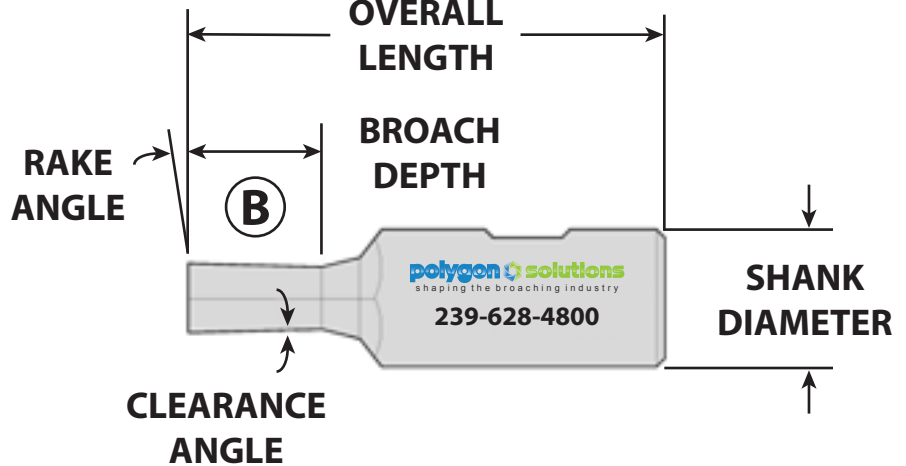
**RAKE
ANGLE**

**CLEARANCE
ANGLE**

**OVERALL
LENGTH**

**BROACH
DEPTH**

**SHANK
DIAMETER**



STANDARD SIZE ROTARY BROACHES

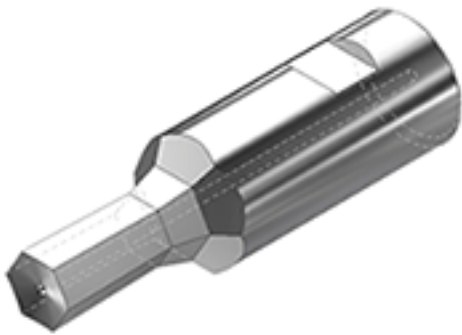
Nominal Size	Across Flats(A)	Broaching Depth(B)	Vent Hole	Part #	Price
.050" Hex	.0510	.102		H00510A	\$49.00
1/16" Hex	.0637	.127		H00637A	\$49.00
5/64" Hex	.0790	.158	✓	H00790A	\$49.00
3/32" Hex	.0950	.190	✓	H00950A	\$49.00
7/64" Hex	.1110	.222	✓	H01110A	\$49.00
1/8" Hex	.1265	.253	✓	H01265A	\$49.00
9/64" Hex	.1425	.285	✓	H01425A	\$49.00
5/32" Hex	.1585	.317	✓	H01585A	\$49.00
3/16" Hex	.1895	.379	✓	H01895A	\$49.00
7/32" Hex	.2215	.443	✓	H02215A	\$49.00
1/4" Hex	.2525	.505	✓	H02525A	\$49.00
9/32" Hex	.2840	.568	✓	H02840A	\$66.00
5/16" Hex	.3155	.631	✓	H03155A	\$66.00
11/32" Hex	.3470	.694	✓	H03470A	\$75.00

TO ORDER CALL 239-628-4800

WWW.POLYGONSOLUTIONS.COM

16770 LINK COURT, SUITE 106
FORT MYERS FLORIDA 33912



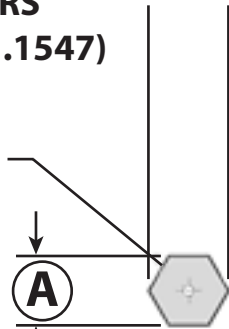


Polygon Solutions' 8mm shank hexagon rotary broaches are precision ground with a tolerance of +0/-0.0005. Each nominal size conforms to the industry standard – ANSI B18.3 2003. All 8mm shank hex rotary broach tools include a pressure relief vent hole that allows air and fluid to freely escape during the rotary broaching process to reduce wear on your machine and extend rotary broach tool life.

**SHARP CORNERS
(ACROSS FLATS x 1.1547)**

**PRESSURE
RELIEF HOLE**

**ACROSS
FLATS**



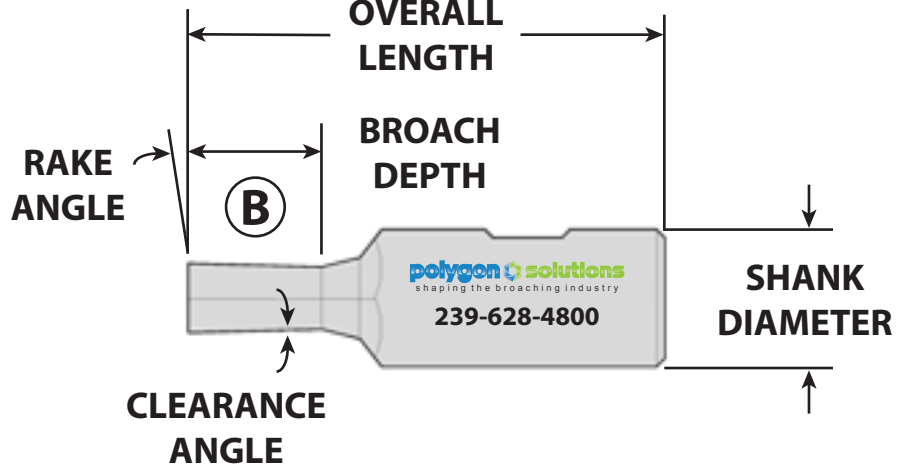
**RAKE
ANGLE**

**CLEARANCE
ANGLE**

**OVERALL
LENGTH**

**BROACH
DEPTH**

**SHANK
DIAMETER**



METRIC SIZE ROTARY BROACHES

Nominal Size	Across Flats(A)	Broaching Depth(B)	Vent Hole	Part #	Price
1.5mm Hex	.0515	.103		H00515A	\$49.00
2.5mm Hex	.0610	.122		H00610A	\$49.00
2mm Hex	.0810	.162	✓	H00810A	\$49.00
2.5mm Hex	.1010	.202	✓	H01010A	\$49.00
3mm Hex	.1210	.242	✓	H01210A	\$49.00
3.5mm Hex	.1410	.282	✓	H01410A	\$49.00
4mm Hex	.1610	.322	✓	H01610A	\$49.00
5mm Hex	.2000	.400	✓	H02000A	\$49.00
6mm Hex	.2400	.480	✓	H02400A	\$49.00
7mm Hex	.2790	.558	✓	H02790A	\$66.00
8mm Hex	.3185	.637	✓	H03185A	\$66.00
9mm Hex	.3580	.716	✓	H03580A	\$66.00
10mm Hex	.3985	.757	✓	H03985A	\$75.00
11mm Hex	.4370	.800	✓	H04370A	\$75.00
12mm Hex	.4775	.800	✓	H04775A	\$75.00

TO ORDER CALL 239-628-4800

WWW.POLYGONSOLUTIONS.COM