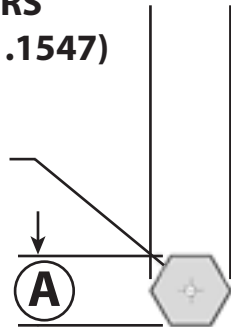


Polygon Solutions' 1/2" shank hexagon rotary broaches are precision ground with a tolerance of +0/-0.0005. Each nominal size conforms to the industry standard – ANSI B18.3 2003. All 1/2" shank hex rotary broach tools include a pressure relief vent hole that allows air and fluid to freely escape during the rotary broaching process to reduce wear on your machine and extend rotary broach tool life.

**SHARP CORNERS
(ACROSS FLATS x 1.1547)**

**PRESSURE
RELIEF HOLE**

**ACROSS
FLATS**



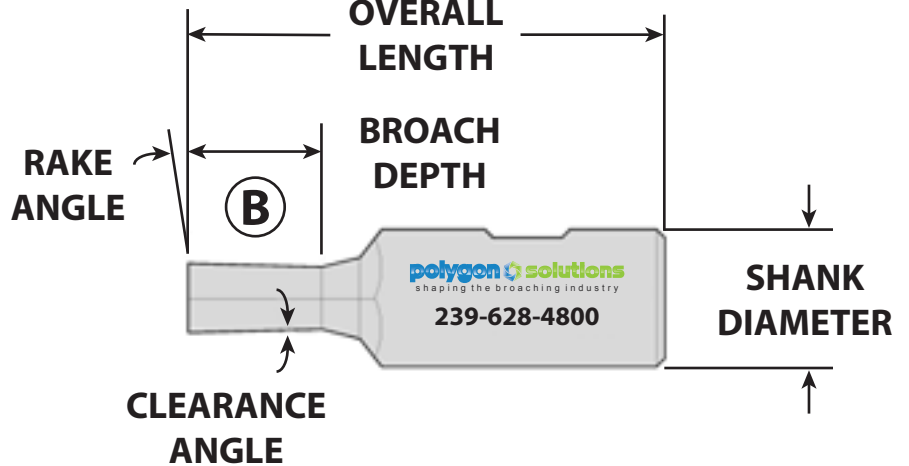
**RAKE
ANGLE**

**CLEARANCE
ANGLE**

**OVERALL
LENGTH**

**BROACH
DEPTH**

**SHANK
DIAMETER**

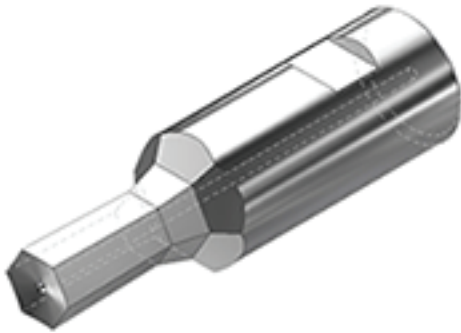


STANDARD SIZE ROTARY BROACHES

Nominal Size	Across Flats(A)	Broaching Depth(B)	Vent Hole	Part #	Price
3/32" Hex	.0950	.190	✓	H00950B	\$56.00
7/64" Hex	.1110	.222	✓	H01110B	\$56.00
1/8" Hex	.1265	.253	✓	H01265B	\$56.00
9/64" Hex	.1425	.285	✓	H01425B	\$56.00
5/32" Hex	.1585	.317	✓	H01585B	\$56.00
3/16" Hex	.1895	.379	✓	H01895B	\$56.00
7/32" Hex	.2215	.443	✓	H02215B	\$56.00
1/4" Hex	.2525	.505	✓	H02525B	\$56.00
9/32" Hex	.2840	.568	✓	H02840B	\$56.00
5/16" Hex	.3155	.631	✓	H03155B	\$56.00
11/32" Hex	.3470	.694	✓	H03470B	\$56.00
3/8" Hex	.3785	.757	✓	H03785B	\$56.00
13/32" Hex	.4100	.800	✓	H04100B	\$56.00
7/16" Hex	.4415	.800	✓	H04415B	\$71.00
15/32" Hex	.4730	.800	✓	H04730B	\$71.00
1/2" Hex	.5045	.800	✓	H05045B	\$71.00
17/32" Hex	.5360	.800	✓	H05360B	\$71.00
9/16" Hex	.5675	.800	✓	H05675B	\$71.00
19/32" Hex	.5990	1.010	✓	H05990B	\$71.00
5/8" Hex	.6305	1.010	✓	H06305B	\$71.00
21/32" Hex	.6620	1.010	✓	H06620B	\$71.00
3/4" Hex	.7565	1.010	✓	H07565B	\$96.00

TO ORDER CALL 239-628-4800

WWW.POLYGONSOLUTIONS.COM

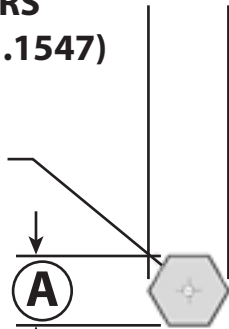


Polygon Solutions' 1/2" shank hexagon rotary broaches are precision ground with a tolerance of +0/-.0005. Each nominal size conforms to the industry standard – ANSI B18.3 2003. All 1/2" shank hex rotary broach tools include a pressure relief vent hole that allows air and fluid to freely escape during the rotary broaching process to reduce wear on your machine and extend rotary broach tool life.

**SHARP CORNERS
(ACROSS FLATS x 1.1547)**

**PRESSURE
RELIEF HOLE**

**ACROSS
FLATS**



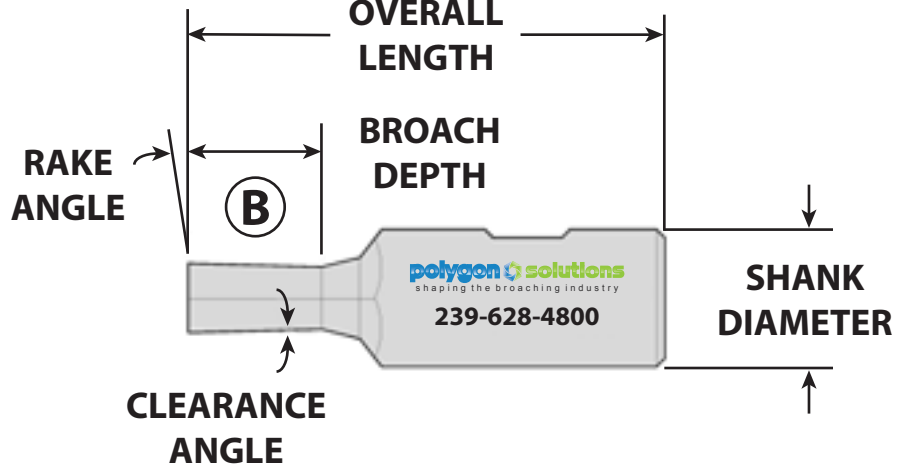
**RAKE
ANGLE**

**CLEARANCE
ANGLE**

**OVERALL
LENGTH**

**BROACH
DEPTH**

**SHANK
DIAMETER**



METRIC SIZE ROTARY BROACHES

Nominal Size	Across Flats(A)	Broaching Depth(B)	Vent Hole	Part #	Price
2mm Hex	.0810	.162	✓	H00810B	\$56.00
2.5mm Hex	.1010	.202	✓	H01010B	\$56.00
3mm Hex	.1210	.242	✓	H01210B	\$56.00
3.5mm Hex	.1410	.282	✓	H01410B	\$56.00
4mm Hex	.1610	.322	✓	H01610B	\$56.00
5mm Hex	.2000	.400	✓	H02000B	\$56.00
6mm Hex	.2400	.480	✓	H02400B	\$56.00
7mm Hex	.2790	.558	✓	H02790B	\$56.00
8mm Hex	.3185	.637	✓	H03185B	\$56.00
9mm Hex	.3580	.716	✓	H03580B	\$56.00
10mm Hex	.3985	.757	✓	H03985B	\$56.00
11mm Hex	.4370	.800	✓	H04370B	\$71.00
12mm Hex	.4775	.800	✓	H04775B	\$71.00
13mm Hex	.5170	.800	✓	H05170B	\$71.00
14mm Hex	.5565	.800	✓	H05565B	\$71.00
15mm Hex	.5965	1.010	✓	H05965B	\$71.00
16mm Hex	.6355	1.010	✓	H06355B	\$71.00
17mm Hex	.6750	1.010	✓	H06750B	\$71.00
18mm Hex	.7150	1.010	✓	H07150B	\$96.00
19mm Hex	.7545	1.010	✓	H07545B	\$96.00

TO ORDER CALL 239-628-4800

WWW.POLYGONSOLUTIONS.COM