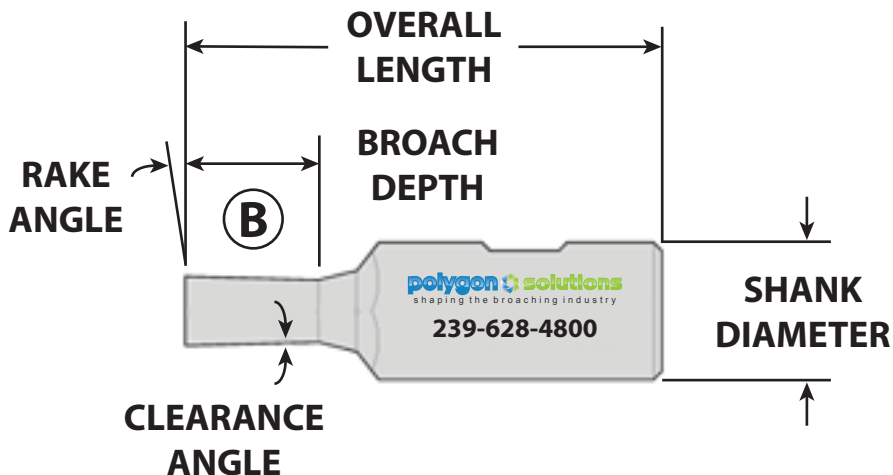
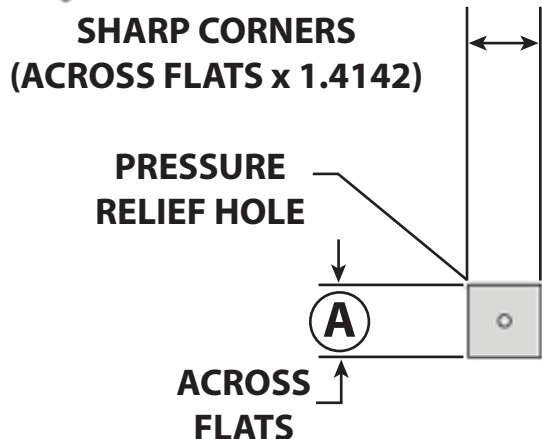


Polygon Solutions' 8mm shank square rotary broaches are precision ground with a tolerance of +0/-0.0005. Each nominal size conforms to the industry standard – ANSI B18.3 2003. All 8mm shank square rotary broach tools include a pressure relief vent hole that allows air and fluid to freely escape during the rotary broaching process to reduce wear on your machine and extend rotary broach tool life.



STANDARD SIZE ROTARY BROACHES

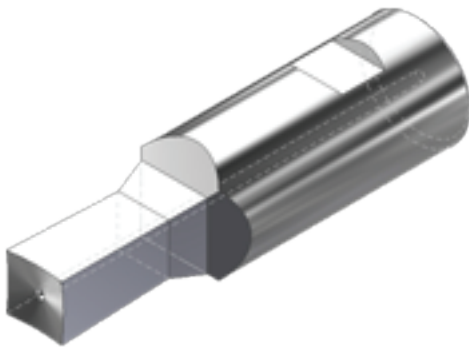
Nominal Size	Across Flats(A)	Broaching Depth(B)	Vent Hole	Part #	Price
1/16" Square	.0635	.127		S00635A	\$49.00
5/64" Square	.0790	.158	✓	S00790A	\$49.00
3/32" Square	.0950	.190	✓	S00950A	\$49.00
7/64" Square	.1110	.222	✓	S01110A	\$49.00
1/8" Square	.1265	.253	✓	S01265A	\$49.00
9/64" Square	.1425	.285	✓	S01425A	\$49.00
5/32" Square	.1585	.317	✓	S01585A	\$49.00
3/16" Square	.1895	.379	✓	S01895A	\$49.00
7/32" Square	.2215	.443	✓	S02215A	\$49.00
1/4" Square	.2525	.505	✓	S02525A	\$66.00
9/32" Square	.2840	.568	✓	S02840A	\$66.00
5/16" Square	.3155	.631	✓	S03155A	\$66.00
1 1/32" Square	.3470	.694	✓	S03470A	\$75.00
3/8" Square	.3785	.757	✓	S03785A	\$75.00
13/32" Square	.4100	.800	✓	S04100A	\$75.00

TO ORDER CALL 239-628-4800

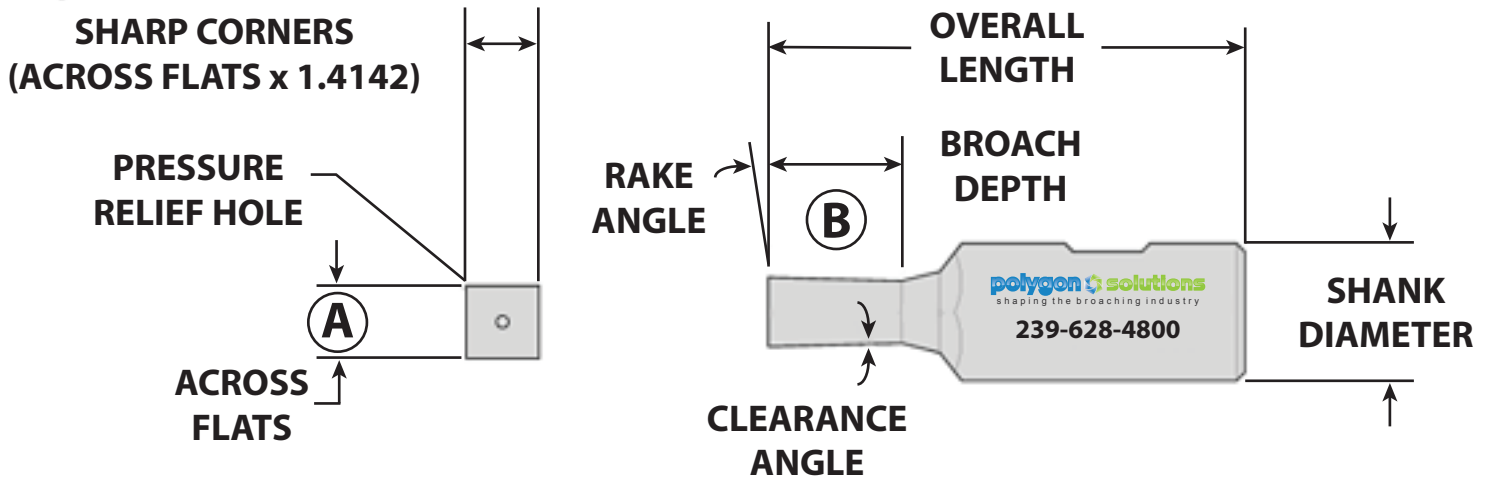
WWW.POLYGONSOLUTIONS.COM

16770 LINK COURT, SUITE 106
FORT MYERS FLORIDA 33912





Polygon Solutions' 8mm shank square rotary broaches are precision ground with a tolerance of +0/-0.0005. Each nominal size conforms to the industry standard – ANSI B18.3 2003. All 8mm shank square rotary broach tools include a pressure relief vent hole that allows air and fluid to freely escape during the rotary broaching process to reduce wear on your machine and extend rotary broach tool life.



METRIC SIZE ROTARY BROACHES

Nominal Size	Across Flats(A)	Broaching Depth(B)	Vent Hole	Part #	Price
1.3mm Square	.0515	.103		S00515A	\$49.00
1.5mm Square	.0610	.122		S00610A	\$49.00
2mm Square	.0810	.162	✓	S00810A	\$49.00
2.5mm Square	.1010	.202	✓	S01010A	\$49.00
3mm Square	.1210	.242	✓	S01210A	\$49.00
3.5mm Square	.1410	.282	✓	S01410A	\$49.00
4mm Square	.1610	.322	✓	S01610A	\$49.00
5mm Square	.2000	.400	✓	S02000A	\$49.00
6mm Square	.2400	.480	✓	S02400A	\$66.00
7mm Square	.2790	.558	✓	S02790A	\$66.00
8mm Square	.3185	.637	✓	S03185A	\$66.00
9mm Square	.3580	.716	✓	S03580A	\$75.00
10mm Square	.3985	.757	✓	S03985A	\$75.00
11mm Square	.4370	.800	✓	S04370A	\$75.00
12mm Square	.4775	.800	✓	S04775A	\$75.00

TO ORDER CALL 239-628-4800

WWW.POLYGONSOLUTIONS.COM